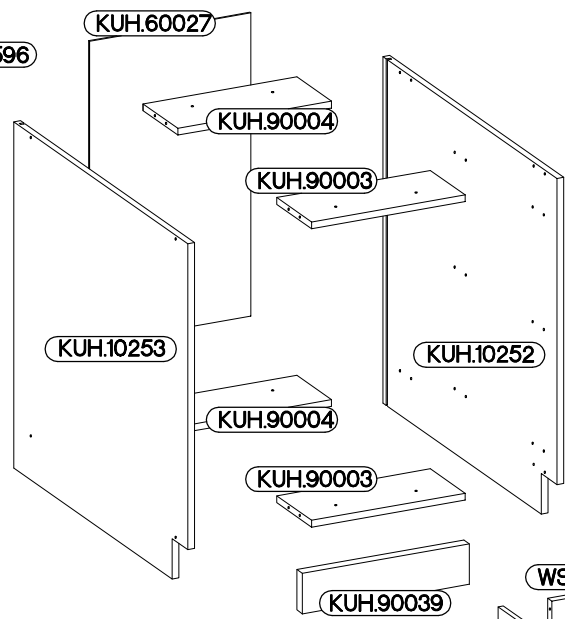
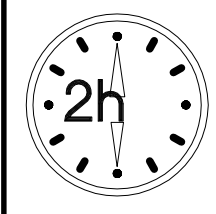
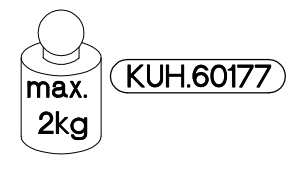
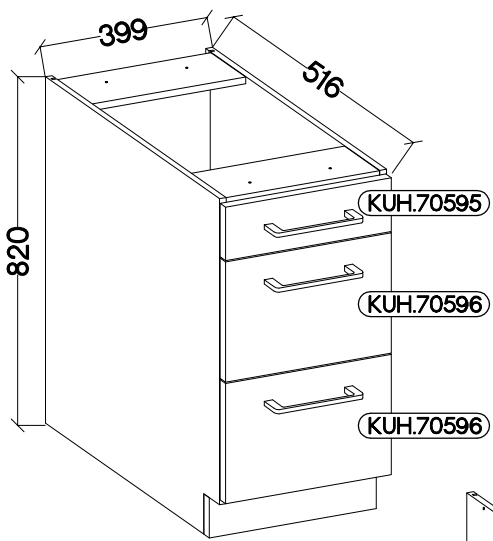
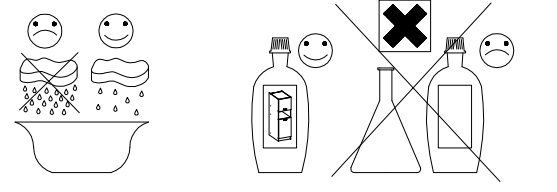
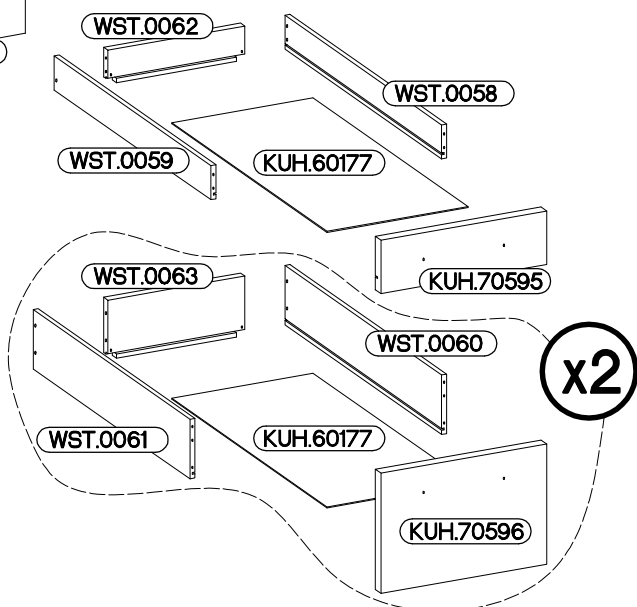


40 D 3S BB

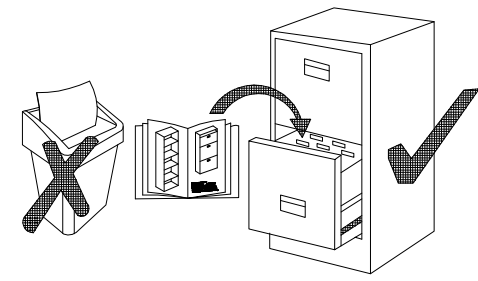


Ersatzteil Nummer	Dimension
KUH.10252	815x500x16
KUH.10253	815x500x16
KUH.60027	713x385x2,5
KUH.60177 x3	446x337x2,5
KUH.70595	396x140x16
KUH.70596 x2	396x283x16
KUH.90003 x2	397x100x16
KUH.90004 x2	397x100x16
KUH.90039	399x95x16
WST.0058	450x80x12
WST.0059	450x80x12
WST.0060 x2	450x140x12
WST.0061 x2	450x140x12
WST.0062	327x80x12
WST.0063 x2	327x140x12





+8x30mm	6,4 x 50mm
A	B
26	8

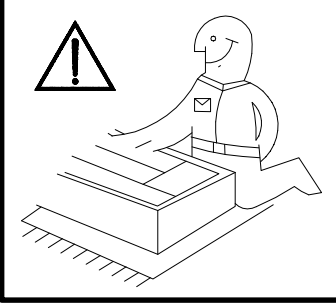
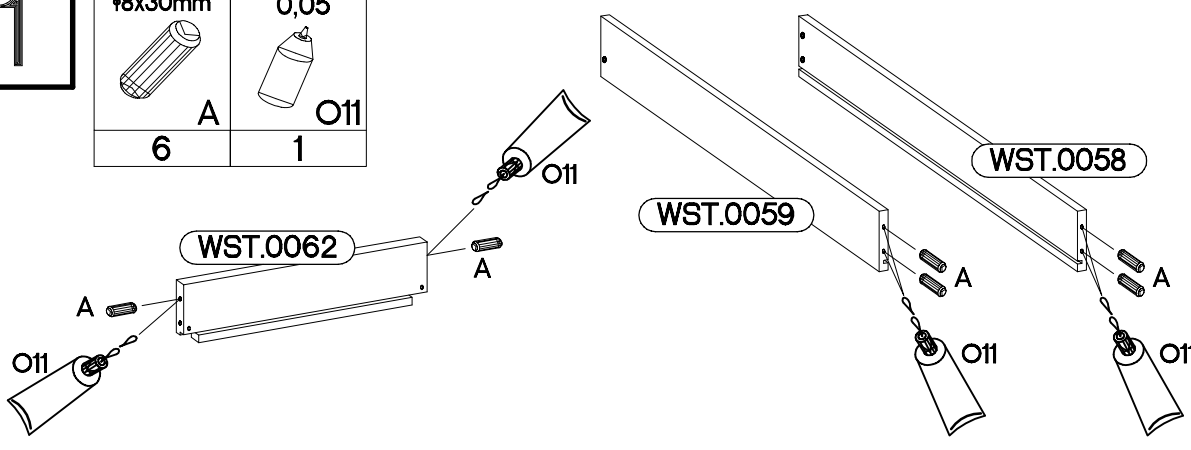
B2	E1	E9	F2	L=450mm	R=111	M2
10	8	2	4	3	3	24
O	O11	P4	P7	R3	S	U
1	1	2	15-20	4	3	6





ISM-KUH-02163

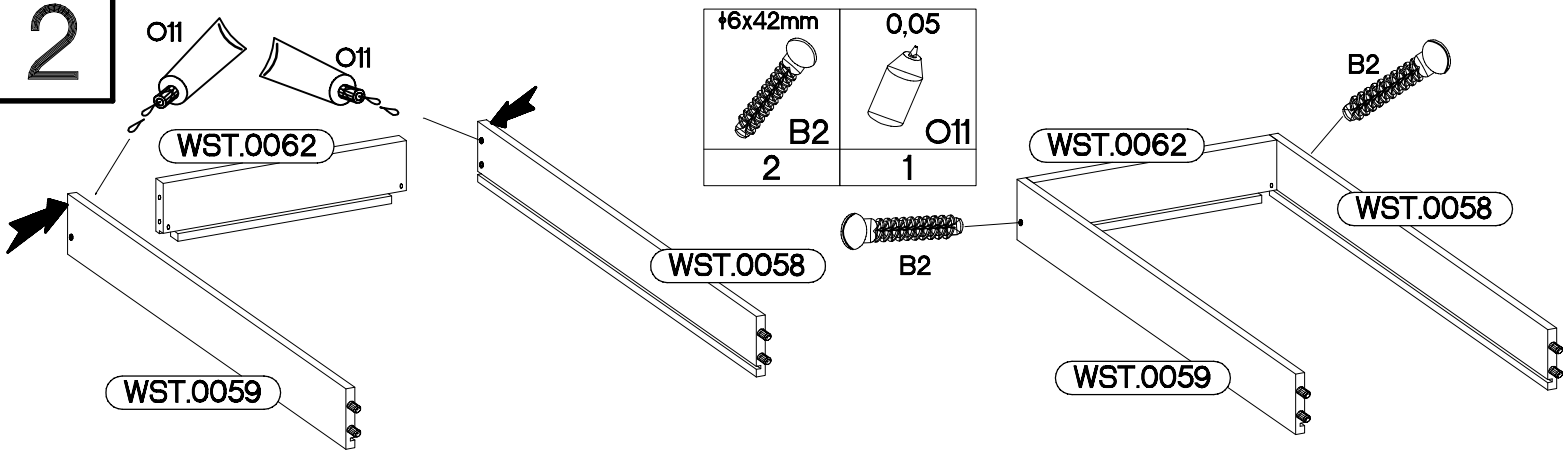
1

+8x30mm  A	0,05  O11
6	1




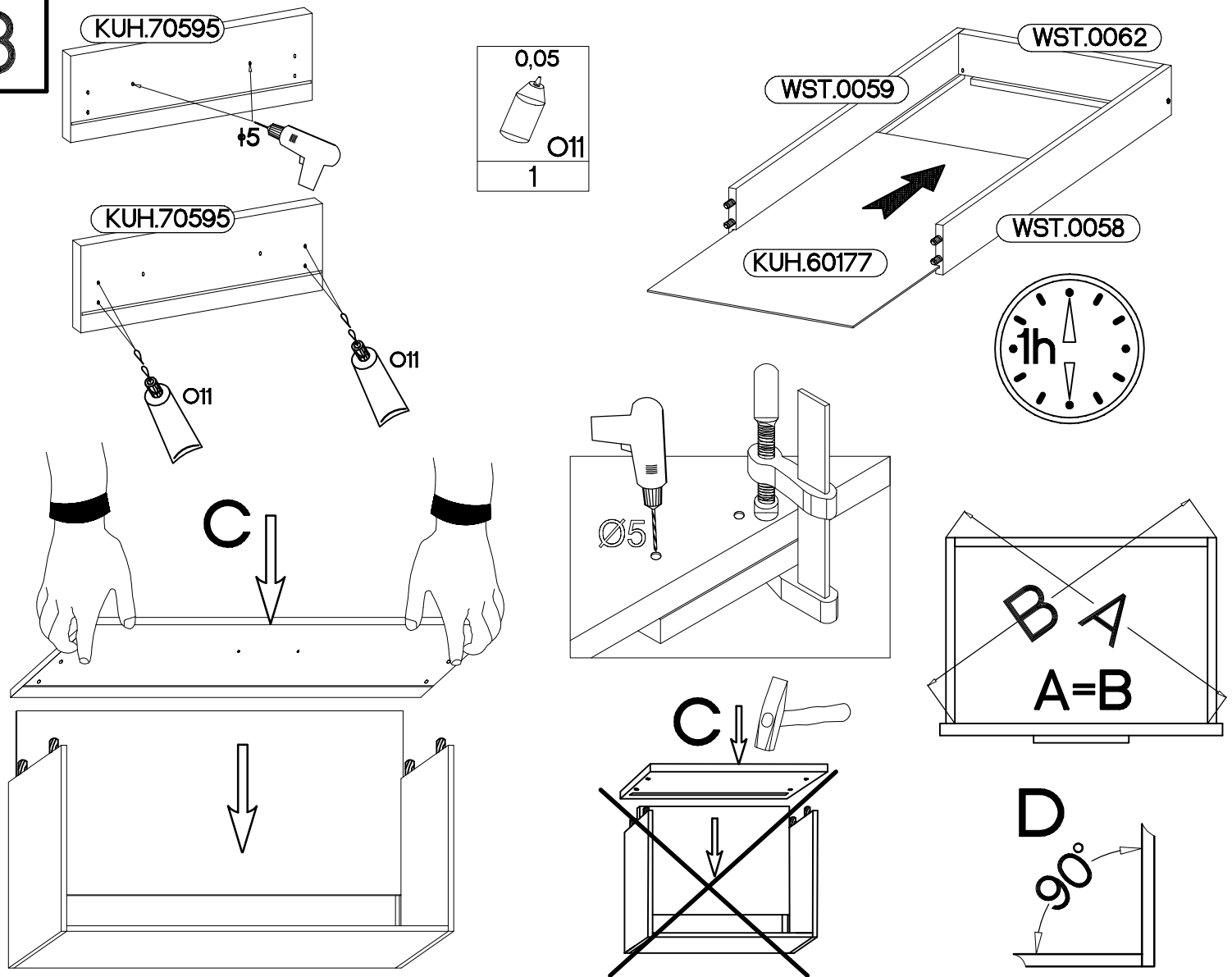
2

+6x42mm  B2	0,05  O11
2	1

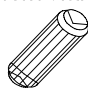



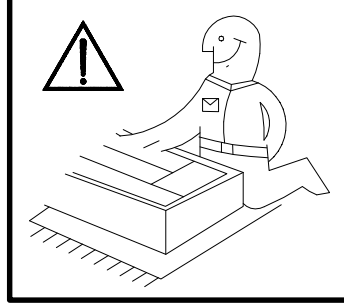
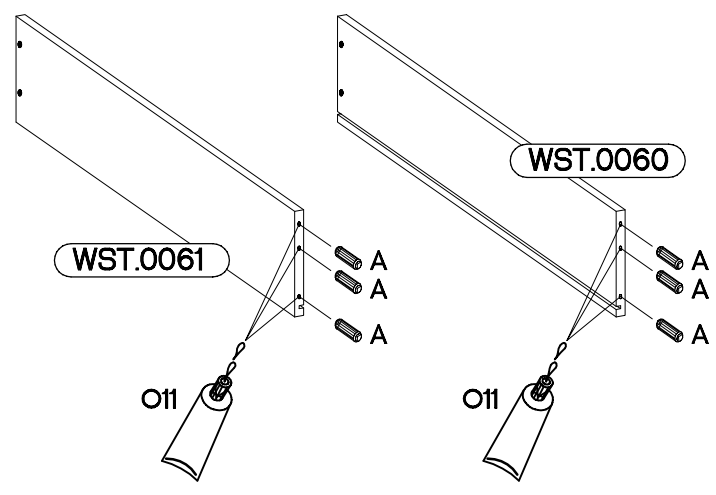
3

0,05  O11
1




4

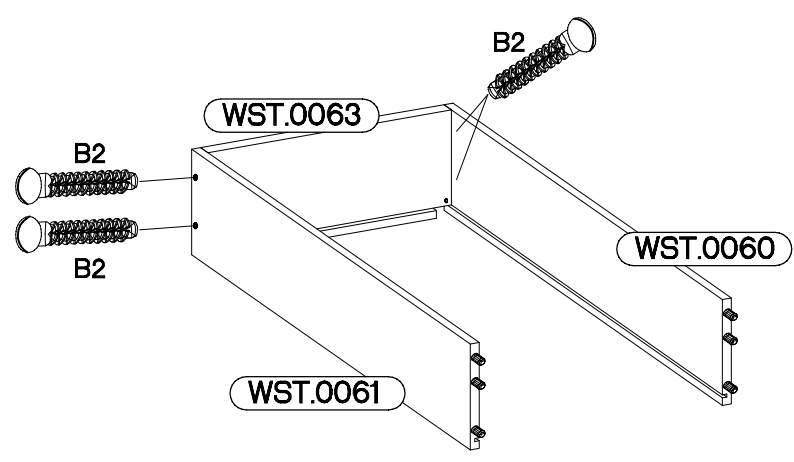
+8x30mm  A 12	0,05  O11 1
--	--



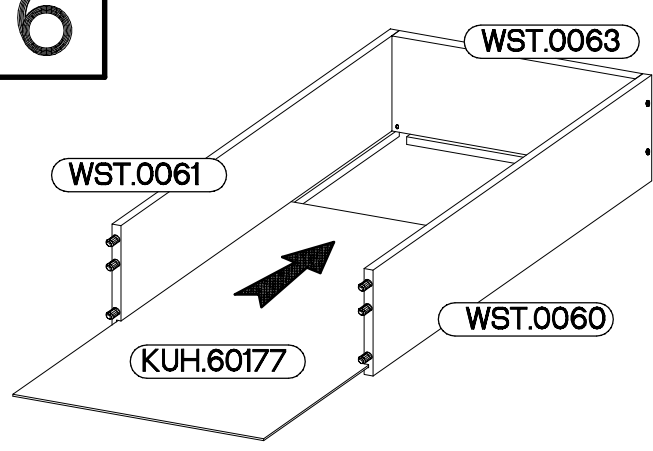
x2


5

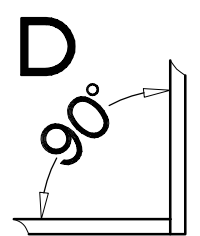
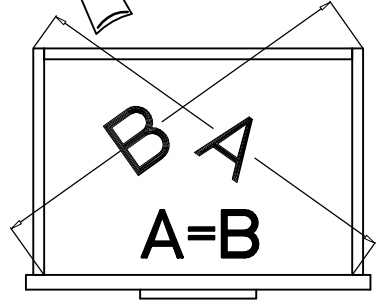
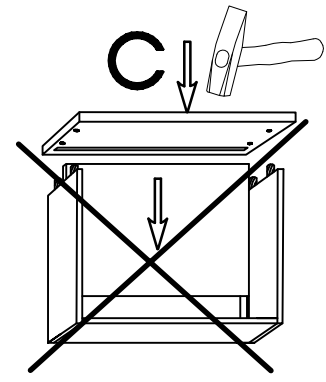
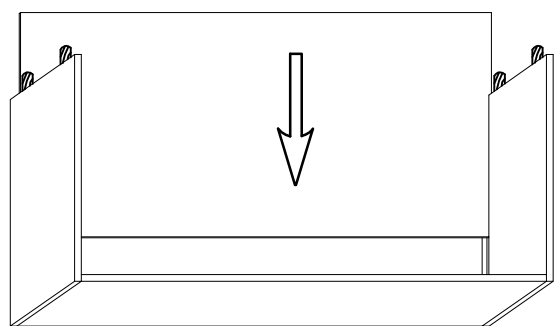
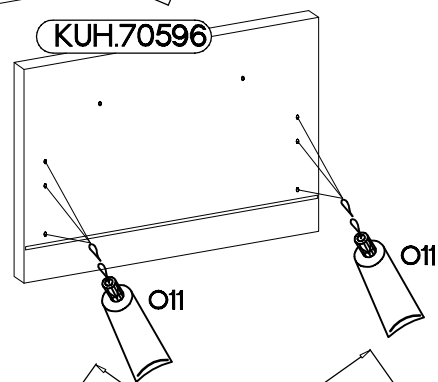
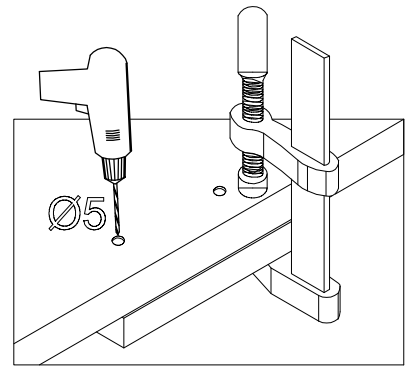
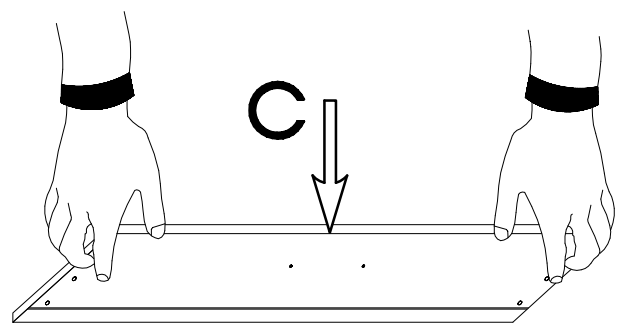
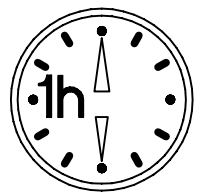
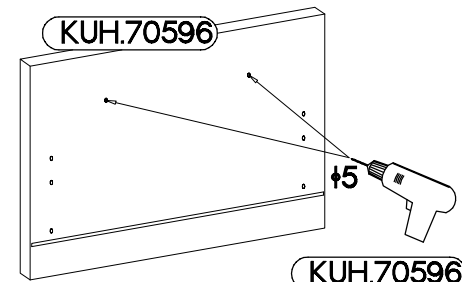
+6x42mm  B2 8


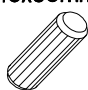
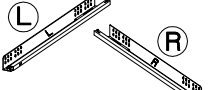



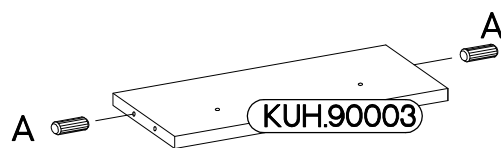
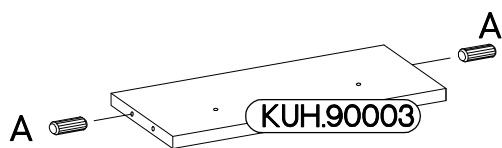
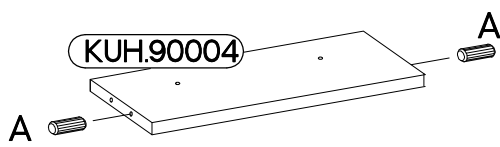
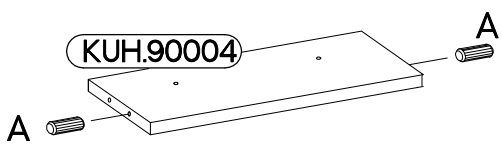
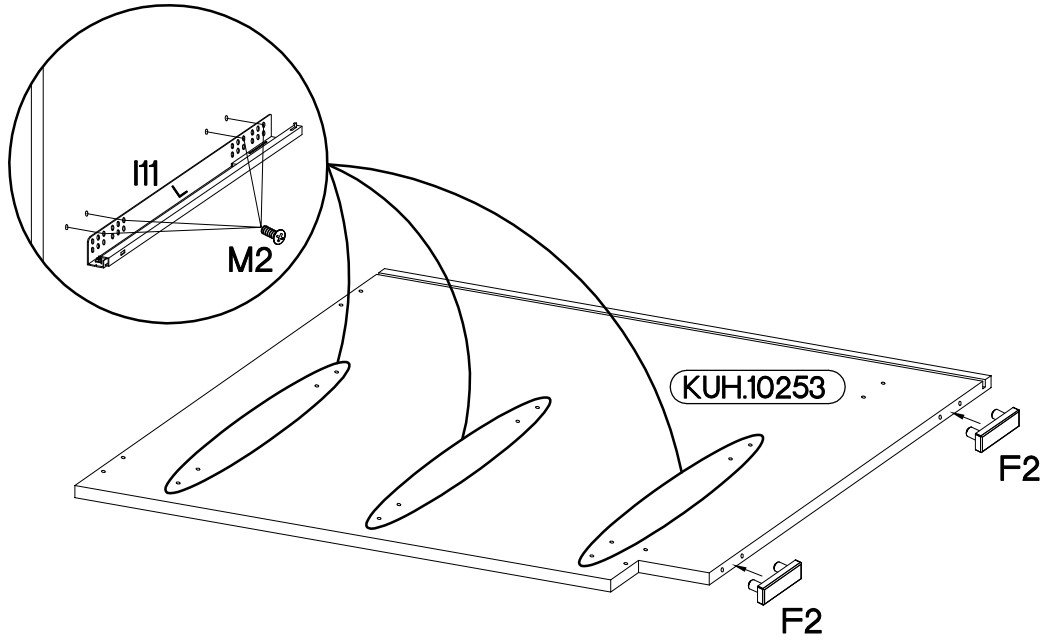
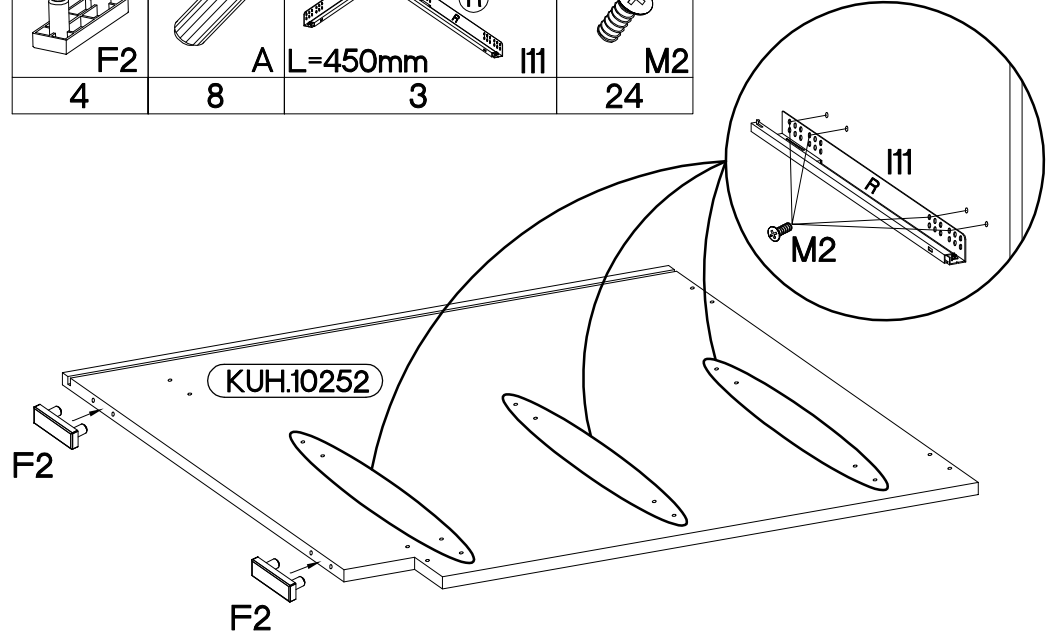
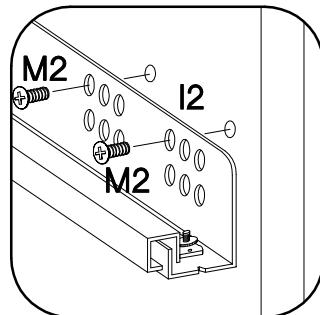
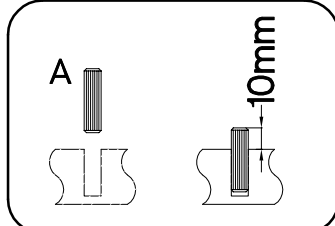
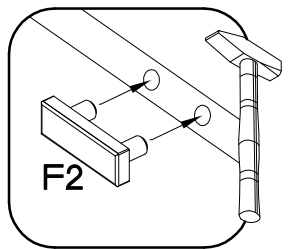
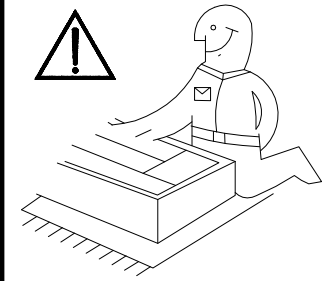
6



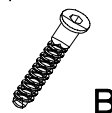
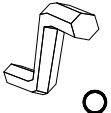

0,05  O11 1

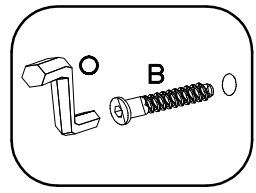
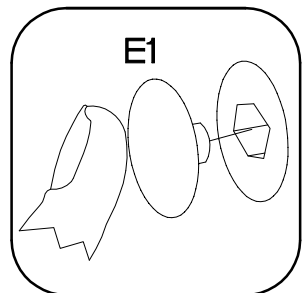
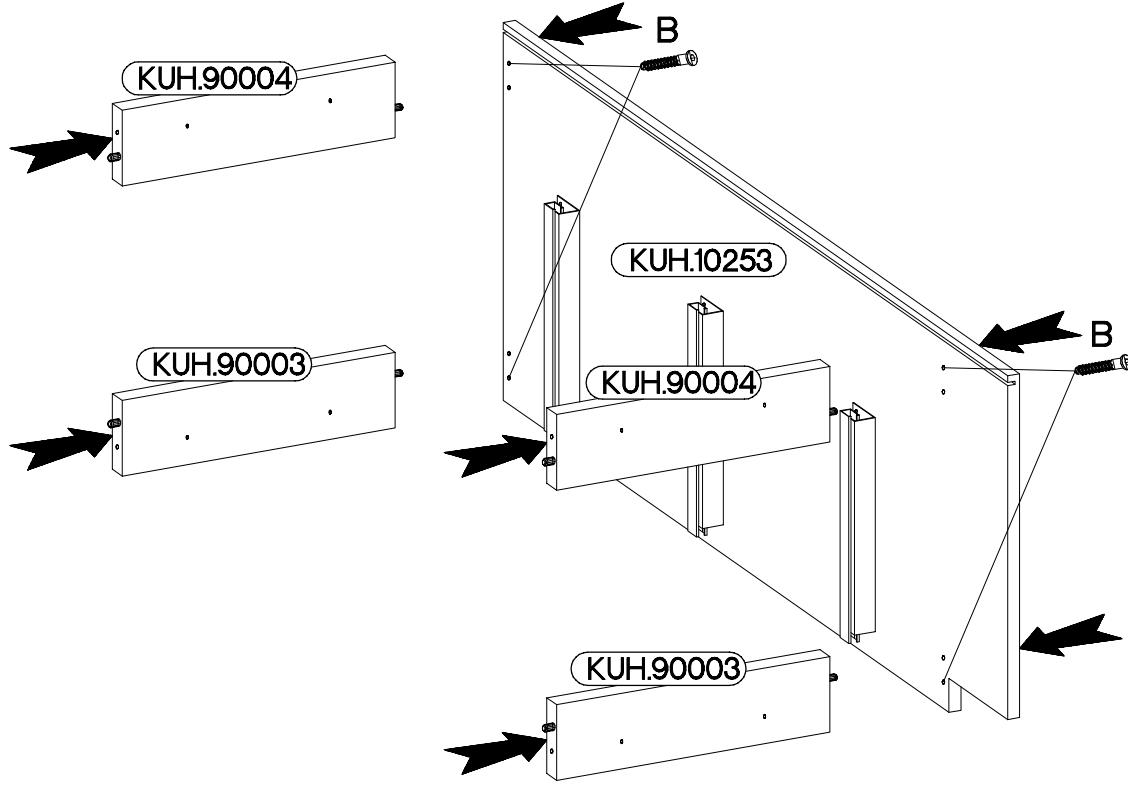
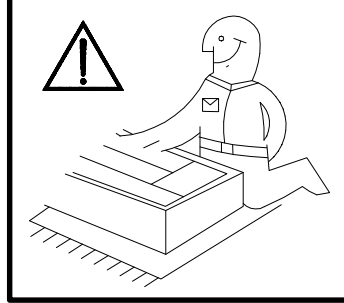


6.5x48x16  F2 4	+8x30mm  A 8	L=450mm  I1 3	+6.3x13mm  M2 24
--	---	--	---

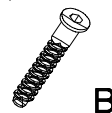
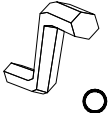



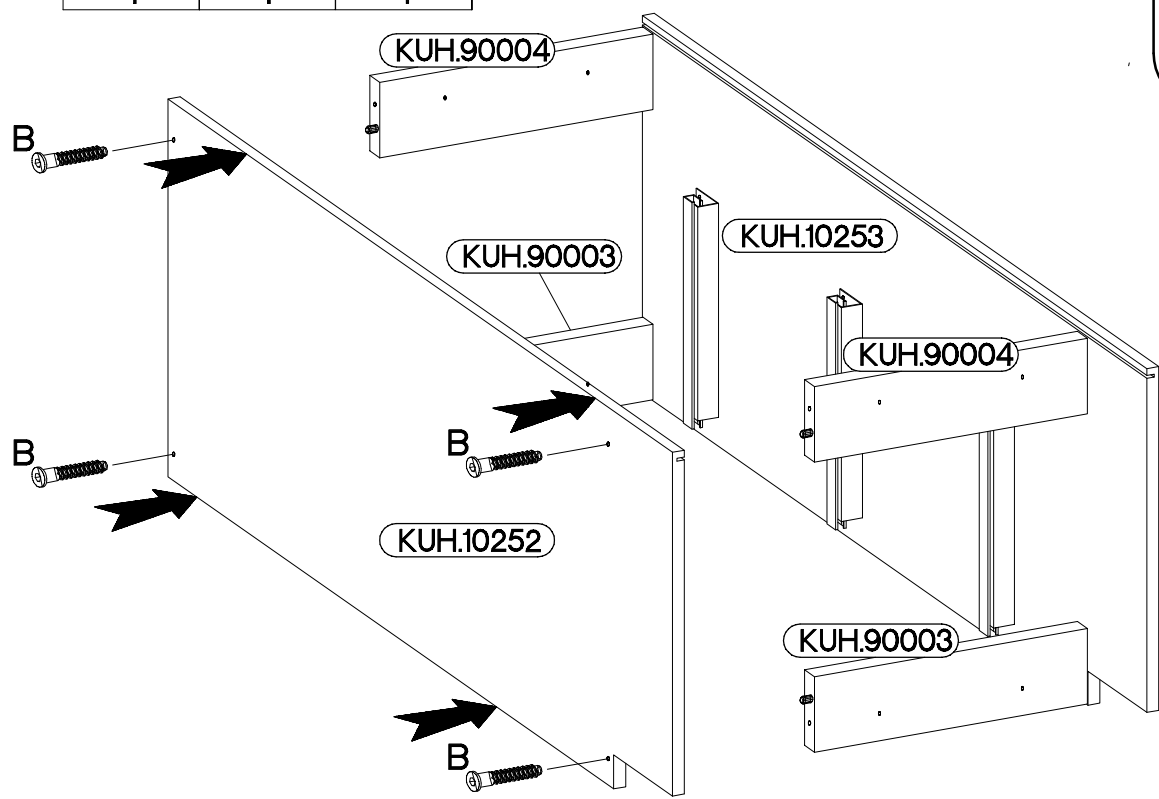
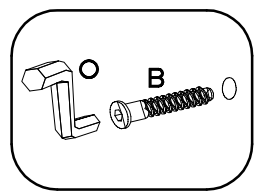
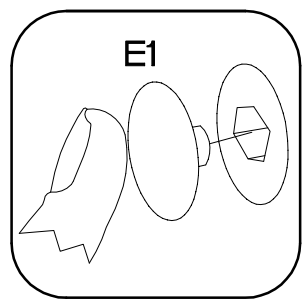
8

6,4 x 50mm		
		
B	O	E1
4	1	4

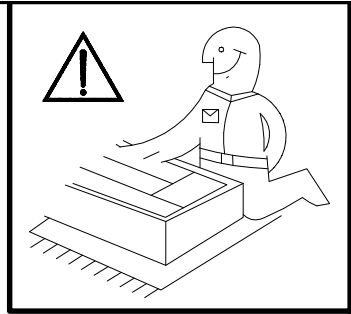
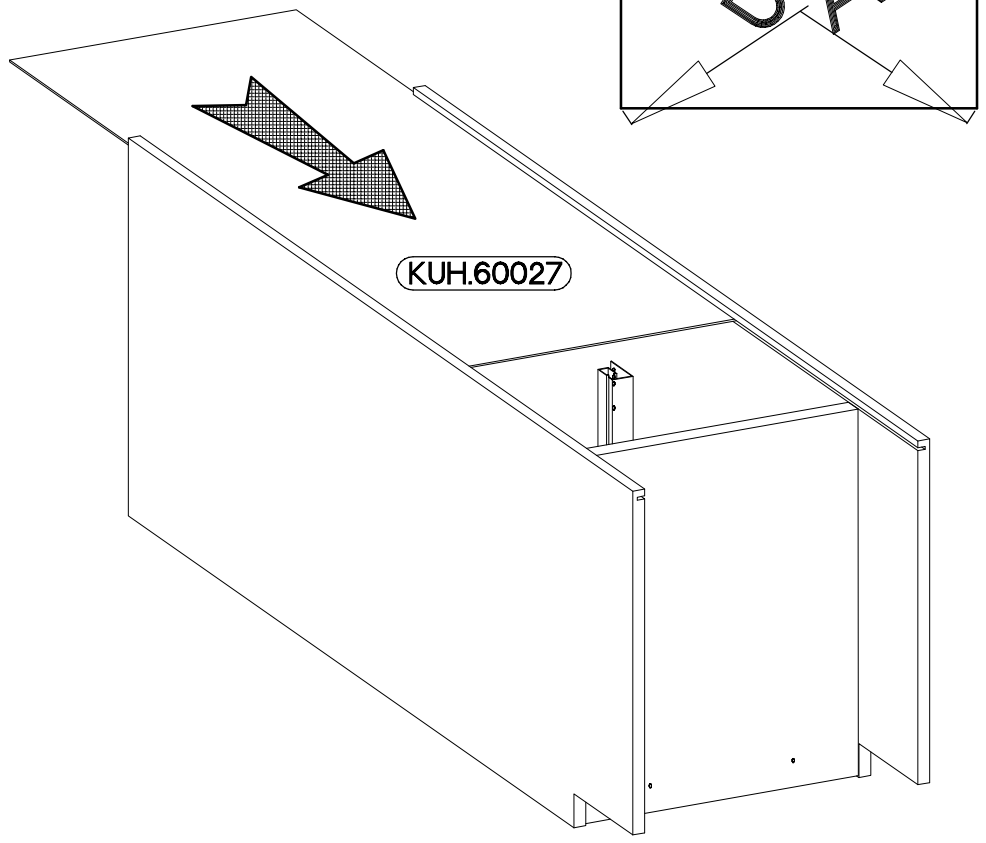


9


6,4 x 50mm		
		
B	O	E1
4	1	4

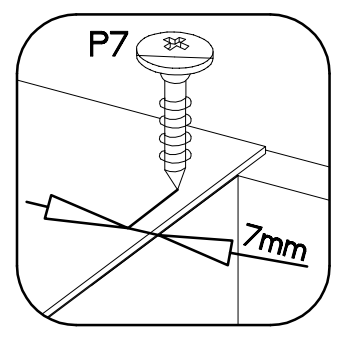
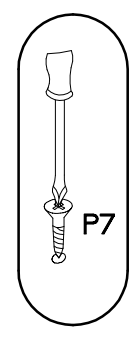
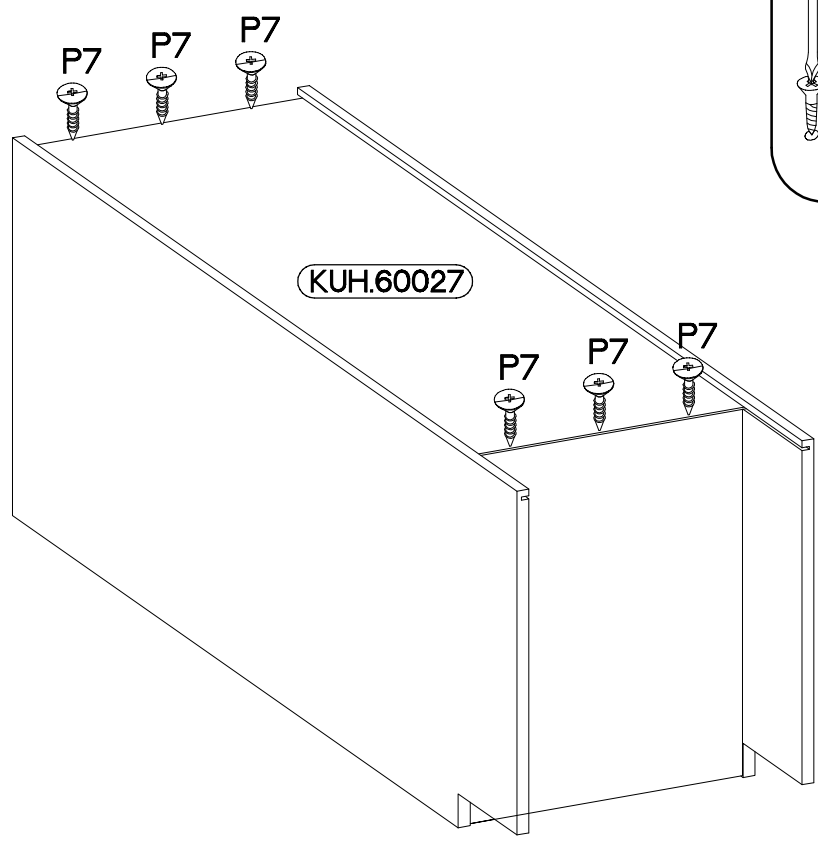


10





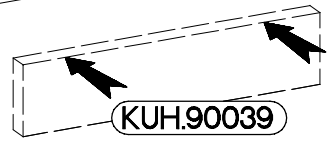
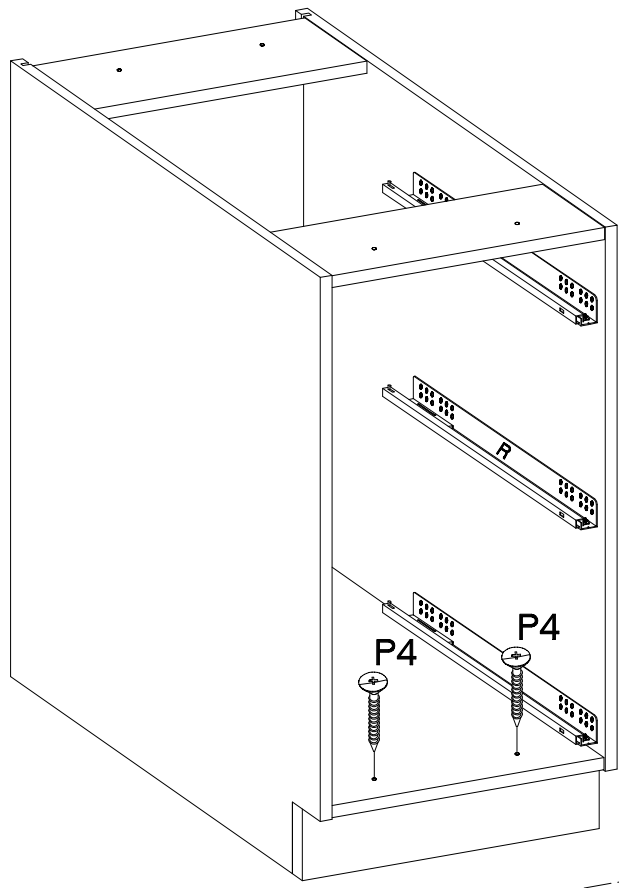
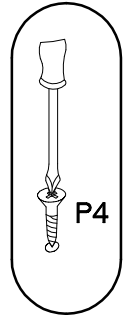
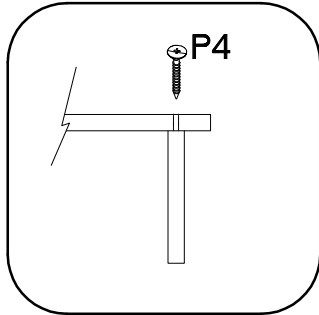
11

3.0x20mm

 P7
 8-10




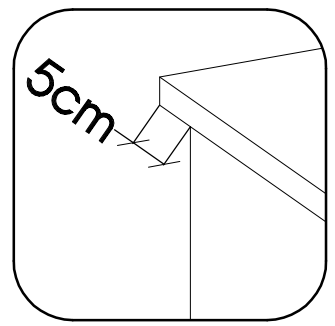
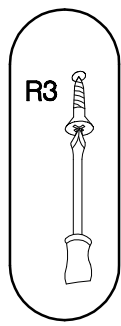
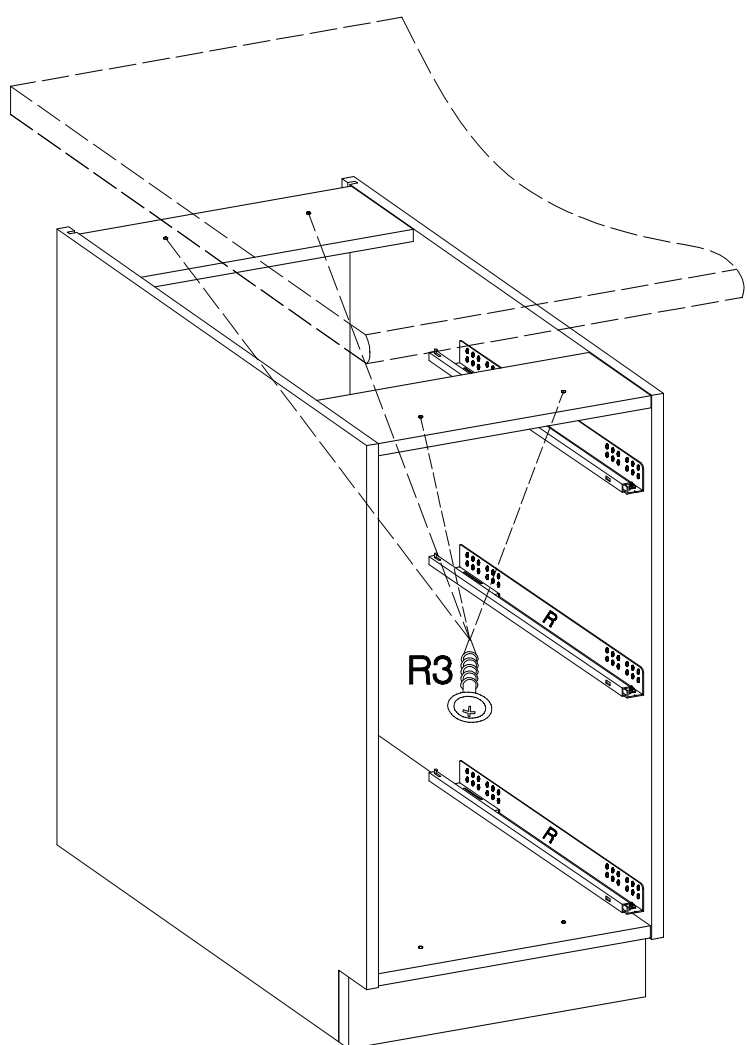
12

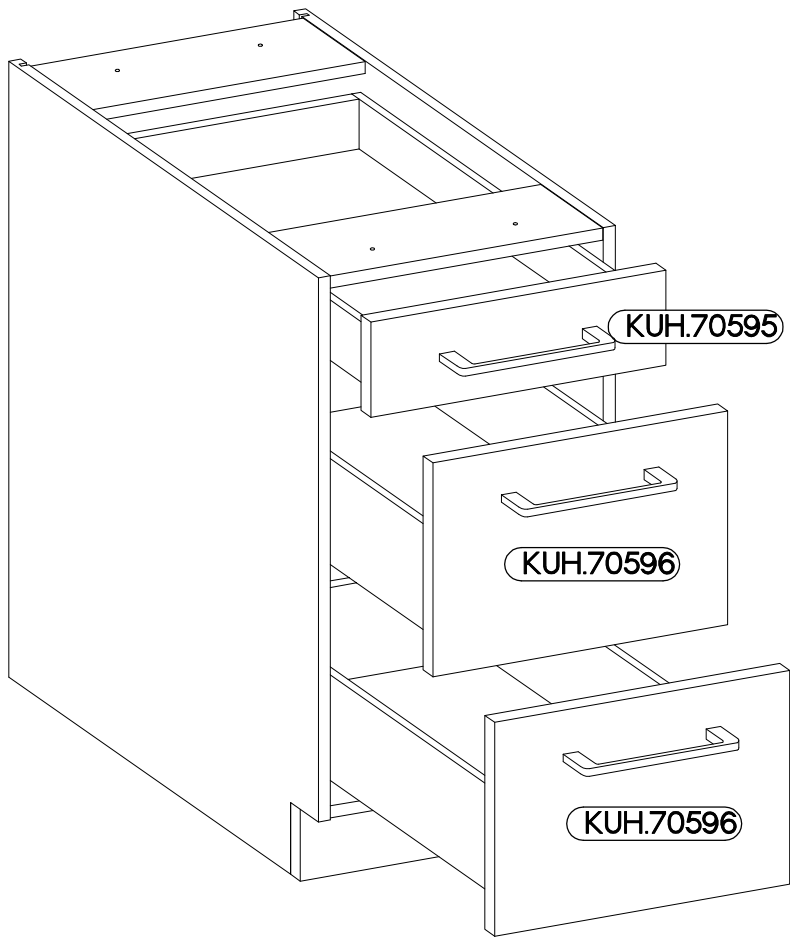
$\pm 4.0 \times 45 \text{mm}$  P4 2	 E9 2
--	---

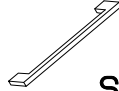




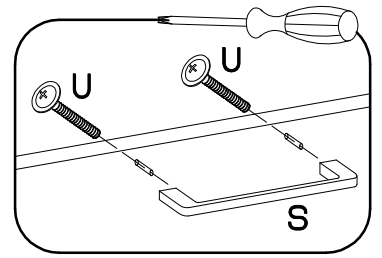
13

$\pm 4.0 \times 35 \text{mm}$  R3 4

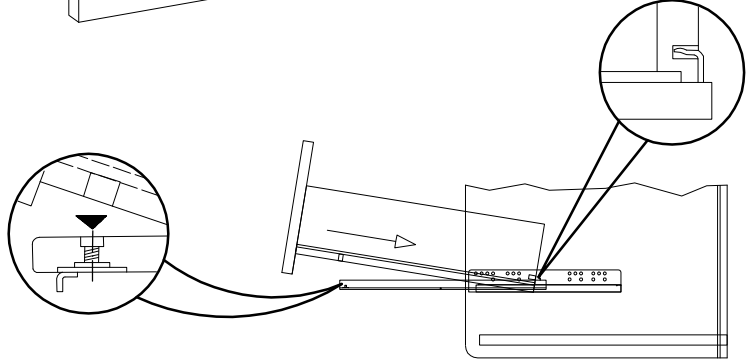




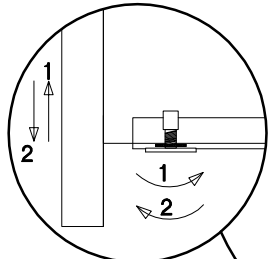
L=192mm	M4x22mm	#3.0x20mm
		
S	U	P7
3	6	6



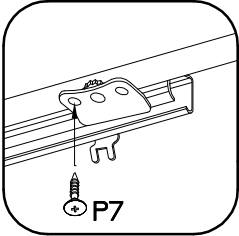
1.



2.



3.



VARIANT HIGH GLOSS

